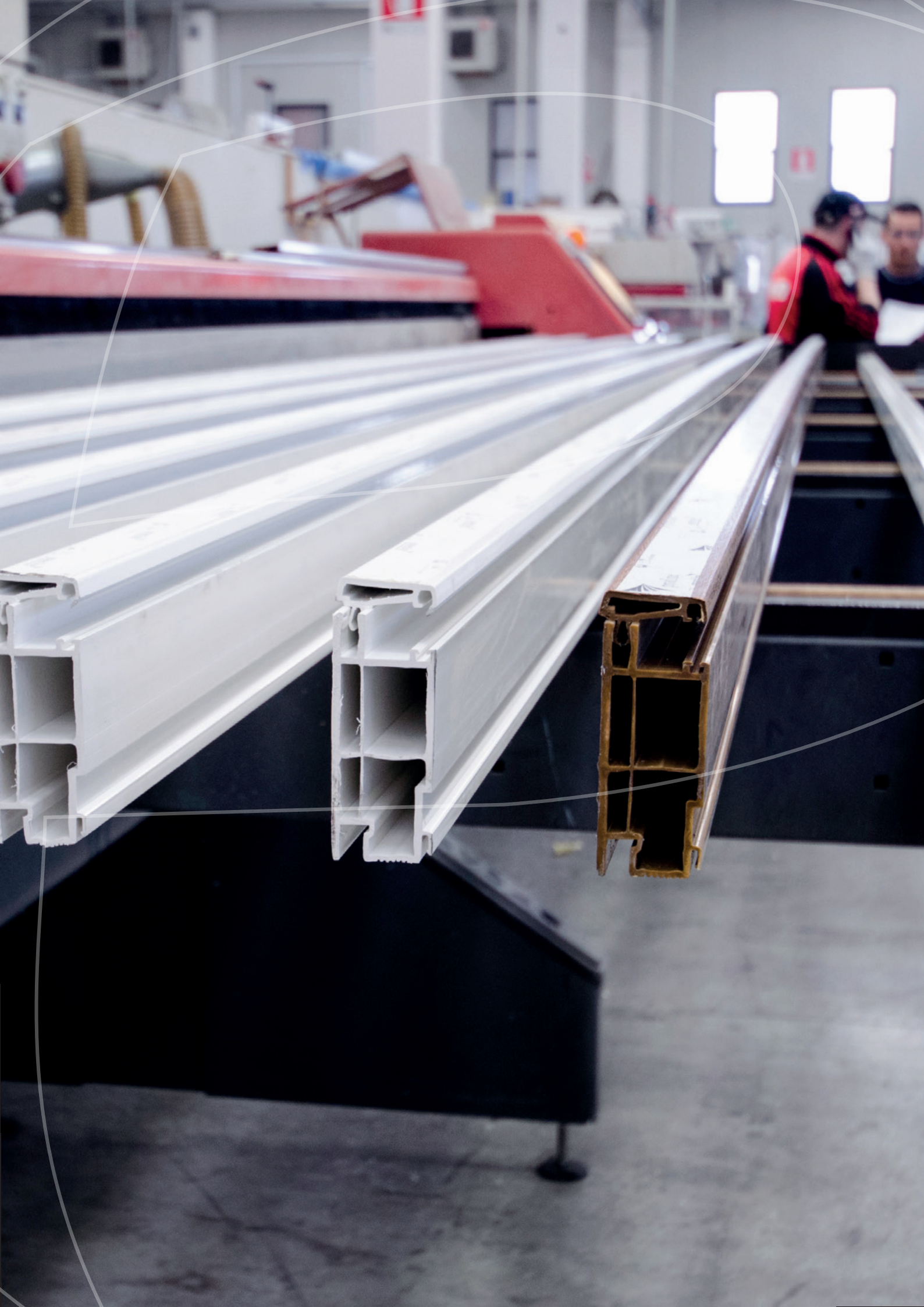
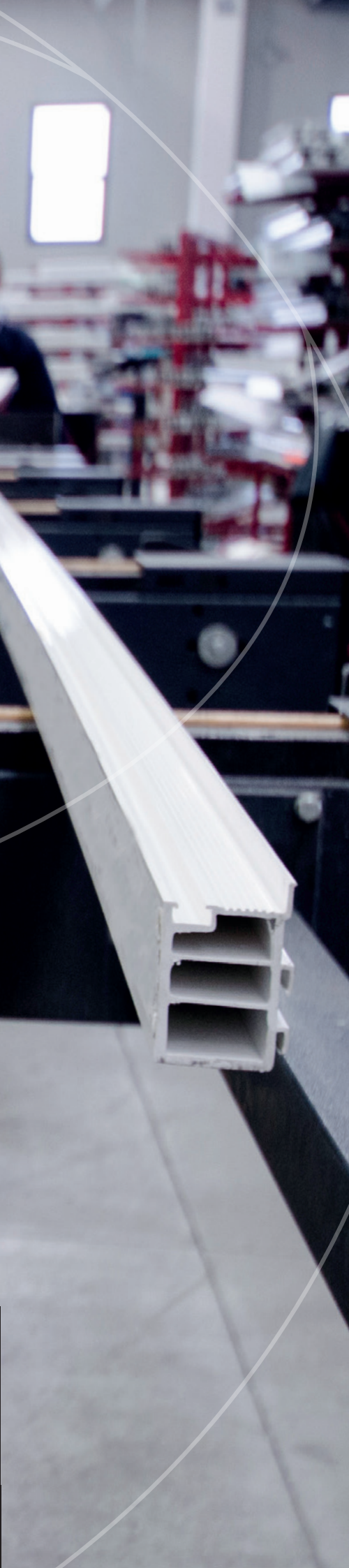


**MADE IN ITALY PRODUCED IN THE CZECH REPUBLIC**







## Contents

- 5 **Piva Group**  
A completely Italian story
- 7 **Piva Group Worldwide**
- 9 **Why Choose Piva Group**
- 10 **The new production facility in Zlin**

### 13 **Assortment PVC**

---

- 14 Series 4000
- 16 Series 120
- 22 **An Elegant Choice of colours**
- 24 Piva ALG/Piva ALG Roller
- 26 Piva 75/Piva 75 Roller
- 28 MD System

### 30 **Aluminium Doors**

---

- 31 Series 2002
- 32 Series 2002 blind door
- 33 Series 2005

### 34 **Panels**

---

- 36 System PRT
- 38 System COP
- 40 System MNR Fibra





## Piva Group A completely Italian story

Piva Group was set up in Italy in 1986 to manufacture insulation panels and doors and windows made of various combinations of materials, aluminium and PVC for the building trade. The search for new techniques to develop innovative products has made the Piva brand known not only in Italy but also in international markets like Spain, the USA, the Czech Republic, the United Kingdom and Australia.

Today, Piva is a prestigious name in the building trade, owing to its production versatility, its product quality and its wealth of experience.

A company that is always ready to match its customers' needs, where Future is the watchword.





## Headquarter

Roncanova di Gazzo V.se  
VERONA - ITALY  
Tel. +39 0442 536111  
Fax +39 0442 536180  
info@pivagroupspa.com  
www.pivagroupspa.com

## ● Sales branches

Australia – Brisbane & Melbourne  
Suriname – Paramaribo  
Canada – Kamloops

## ● Production facilities

Verona – Italy  
Salamanca – Spain  
Ste. Genevieve – MO  
Zlin – Czech Republic



## Piva Group Worldwide

The international headquarter is located in northern Italy near Verona in Roncanova, Via Roma 139, on an area of about 100,000 square meters (1.080.000 square feet). Piva Group S.p.A. sells its products in all European countries and also outside EU since 2004. State of the art production facilities allow Piva to

respond to the needs of ever growing markets. Employees, management and production facilities are part of a single corporate structure dynamic, geared towards meeting customer needs with high flexibility, highest quality standard levels and in timely fashion.





## Why Choose Piva Group



Quality & Stability



High Speed production



Financial strenght  
& Market adaptation



Attitude for relationship management  
and customer satisfaction



Customer oriented



Techhical solutions

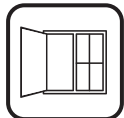


## The new production facility in Zlin

Piva Okna handle the West Market in cooperation with Italian production. The production facility boasts of modern and last generation technologies like invisible welding and other innovations.



**A strategic plant and logistic for West and North European market (e.g. Germany, Switzerland, Norway)**



**More than 1.300 doors and windows/day on group level**



**30 years of experience for the new production facilities**



**Flexibility of solutions, because of the integration with other international Piva Group facilities.**







CASTELANE



# Assortment PVC

## Prefabricated and modular buildings

Choosing PVC profiles for doors and windows helps preserve our forests because PVC is a thermoplastic material of prevalently natural origin and it uses very few raw materials that are limited in availability and/or non-renewable. Choosing PVC profiles for doors and windows is thus an ethical decision that leads to pollution reduction.

<b>Series 4000</b>	Pag. 14
<b>Series 120</b>	Pag. 16
<b>Piva ALG/Piva ALG Roller</b>	Pag. 24
<b>Piva 75/Piva 75 Roller</b>	Pag. 26
<b>MD System</b>	Pag. 28

# Series 4000

*Stability and Great variety of design*



Piva 4000 is a modern profile for a complete and wide range of PVC windows and patio doors, with many variables in terms of thickness and profile performance. Certifications and periodic tests on the quality of the Piva windows and patio doors are synonymous of quality and the highest level of performance. The many variations in style and design ensure a response and solutions to every requirement and need.

Deep  
**70 mm**

Uf  
**1.3 W/m<sup>2</sup>**

Uw  
**0.99\* W/m<sup>2</sup>K**

Safety until  
**RC2**

Rw until  
**45 db**



## DATASHEET

Frame – 70 mm section with 5 chambers

Available in numerous coating variants

\*Uw = 0.99 Wm<sup>2</sup>K with standard glass with three plates with Ug = 0.6 and Psi = 0.040 Wmk

Available with aluminium asluskin coat (wide choice of colors)

Uw= 1.3 W/m<sup>2</sup>K

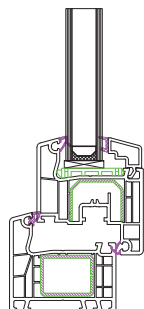
Step variant, semicomplanar variant, roundline variant

Acoustic performance up to 45 dB

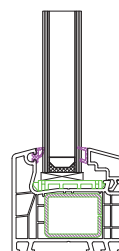
Possibility of draining hidden water

Up to RC2 intrusion and burglary Resistance

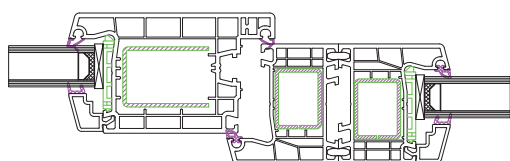
Optional: Bonding Inside



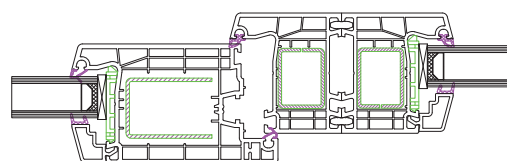
1.



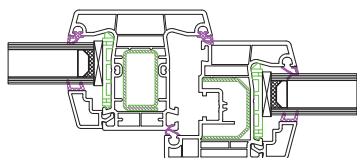
2.



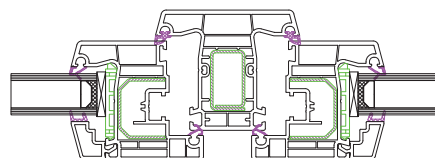
3.



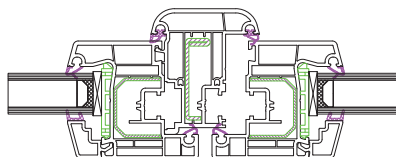
4.



5.



6.



7.

- |   |  |
|---|--|
| <ul style="list-style-type: none"> <li>1. Window internal opening interlock – Fixed window interlock</li> <li>2. Central interlock, Exterior door combination + fixed side window</li> <li>3. Central interlock, Internal door combination + fixed side window</li> </ul> | <ul style="list-style-type: none"> <li>4. Fixed Window Central interlock + internal opening – hinged system</li> <li>5. Double Window Central interlock Internal opening – hinged system</li> <li>6. Window Central interlock 2 sashes internal opening – hinged system</li> </ul> |
|---|--|

# Series 120

*Modern lines and complete with rolling shutter*



Piva 120 is a new modern profile for complete and wide range of PVC windows and patio doors with integrated roller shutter or roller insect screen. The guide of roller shutter is equipped with double brushes to reduce the noise when it is pulled down. The profile is adapted to combination use of both roller shutter and fixed insect screen. It allows many variables in terms of thickness and profile performance. Certifications and periodic tests on the quality of the Piva windows and patio doors are synonymous of quality and the highest level of performance. The many variations in style and design ensure a response and solutions to every requirement and need.

## Series 120 integrated roller shutter

The new improvement of windows with integrated roller shutter allows to decrease a heat transfer coefficient to  $U_w=1,0 \text{ W/m}^2\text{K}$ .

This value was achieved by additional insulation of the casing:

- Two chambers of the casing both in contact with the frame and column profile was isolated by prefabricated insulation.
- The entrance of roller shutter into the casing was sealed with two brushes, which prevent to cooling the casing space.
- A triple glass with  $U_g=0,6 \text{ W/m}^2\text{K}$  is used to support low heat flows.

Deep	$U_w$	Air Permeability	Water resistance	Wind resistance
<b>100 mm</b>	<b>1.0*</b> $\text{W/m}^2$	<b>Class 3</b>	<b>E750/E1050</b>	<b>Class C3</b>



## DATASHEET

70 mm window section – Frame 100 mm

Tilt&Turn Window Available

Maximum glazing thickness 41 mm

Water Resistance E750/E1050

Acoustic performance up to 45 dB

Standard:  $U_w=1.3 \text{ W/m}^2\text{K}$  up to  $U_w=1.0 \text{ W/m}^2\text{K}$

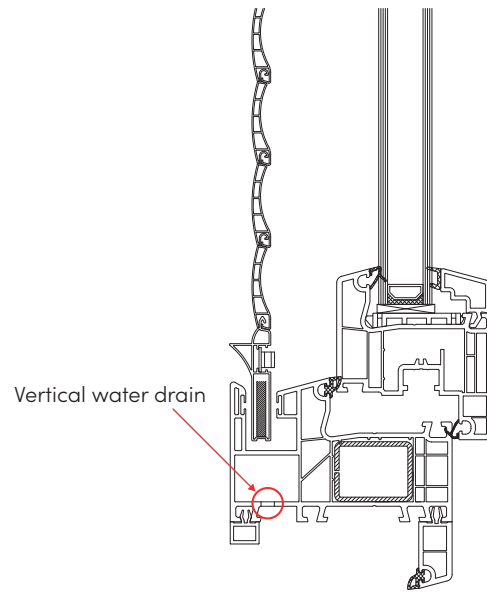
\*With glass  $U_g=0.7 \text{ W/m}^2\text{K}$  value with additionally insulated casa up to  $U_w=1.0 \text{ W/m}^2\text{K}$  using glass with  $U_g=0.6 \text{ W/m}^2\text{K}$

Acoustic performance up to 45 dB

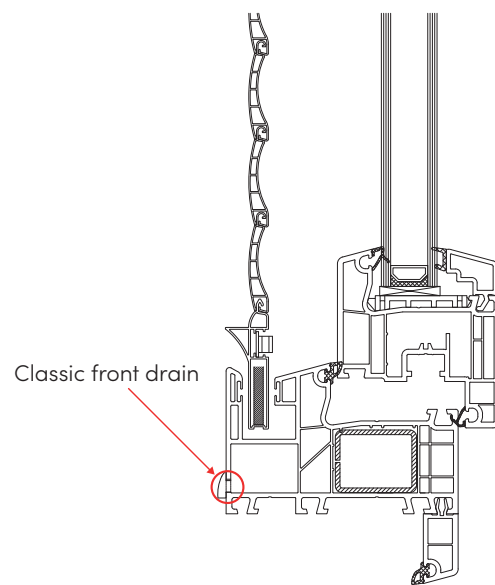
Air Permeability Class 3

Wind resistance Class C3





Sill section type1



Sill section type2

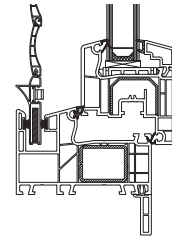


## BENEFITS AND INNOVATIONS

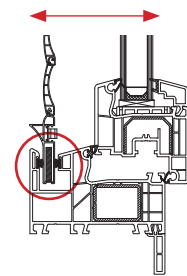
### Frame

---

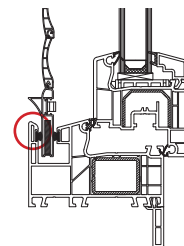
Building depth increased to 100 mm ensures great stability of the frame and thanks to reinforcing ribs it is very strong.



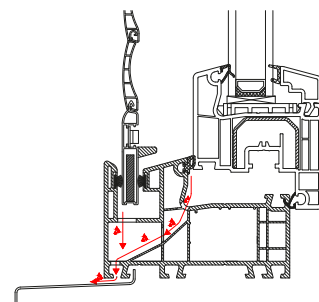
Double brush in sufficiently wide roller guides ensures minimal noise when pulling down and during the wind



Chamfered guide rail ensures that the roller blind is perfectly attached to the roller space of the profile

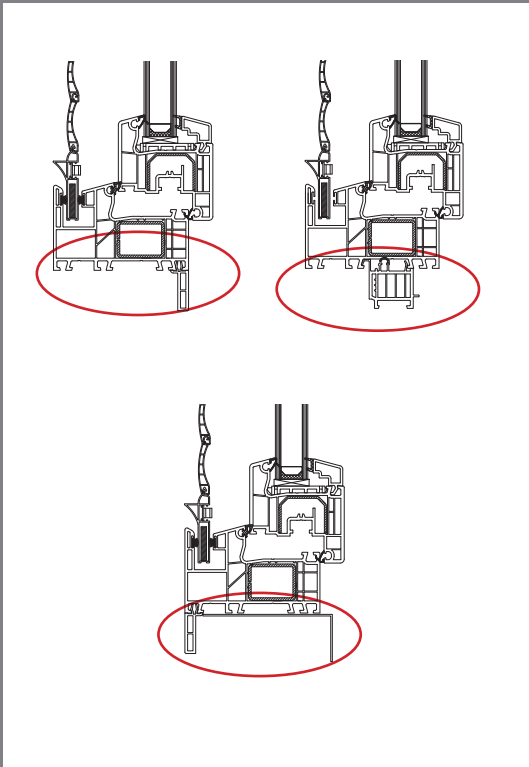


The system ribs inside the profile allows easy drainage profile



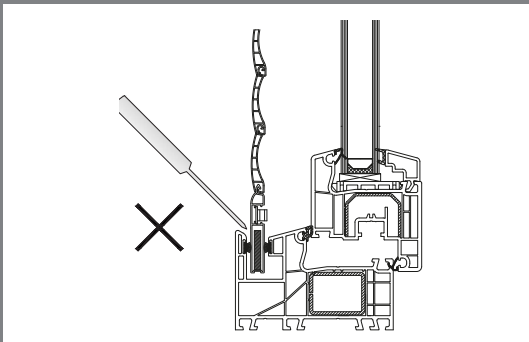
---

Profile-based longitudinal grooves allow great assembly variability



---

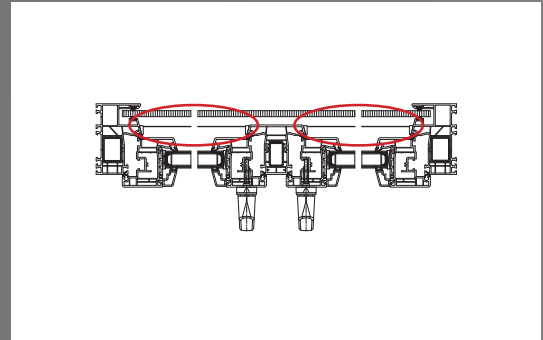
The extended guide strip increases security against violent intrusion when fully blinded



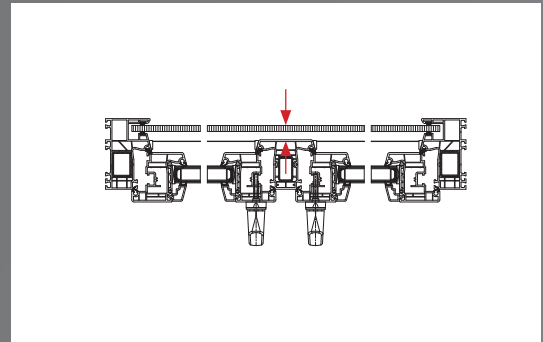
## Roller

---

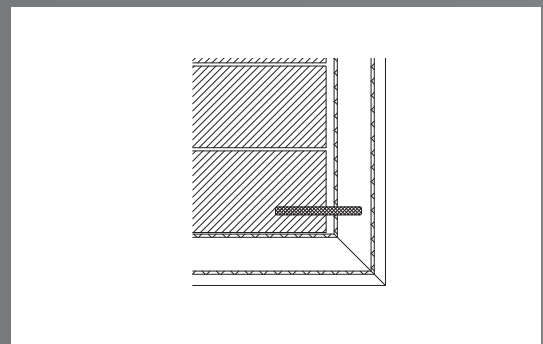
Wide abutment strip allows the installation of blind roller as well as fixed insect screens or safety grilles.



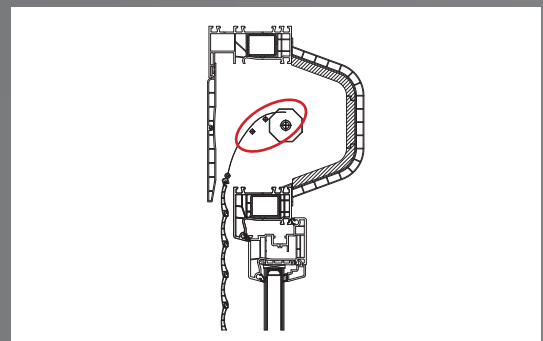
Wide abutment strip increases the distance of the column from the roller shutter and prevents it from scratching while pulling or pulling the roller shutter.



The last slat of the blind roller is provided with security stops against violent intrusion.



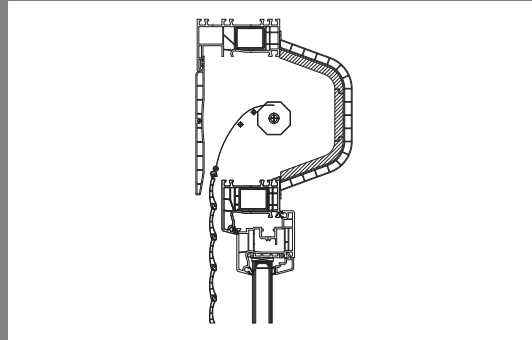
Attaching the roller shutter to the shaft with a stainless-steel grip prevents it from being broken.



## Casing

---

The plastic casing is additionally insulated with prefabricated insulating material and sealed with sealing compound.



## Manufacture

---

Standard fittings include security against incorrect handling of the handle and uplift of the wing when closing



## An elegant choice of colours

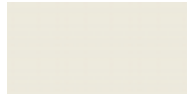
From ancient times, colour has played a fundamental role in the life of man. History has always been rich in colours which, when used with skill, never fail to evoke unique, indescribable emotions and sensations.

Colours beautify, complete, outline, detail and highlight, and we offer a vast range of colours and finishes so that you can choose the look you desire for the perfect match of functional and personal architectonic styles.

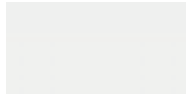


## COLORS AVAILBLE FOILED

### Standard colors



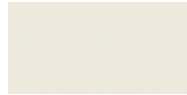
607 | Ivory in bulk



654 | White in bulk



064 | White ash



067 | Ivory coated



046 | Basque red



058 | Dark green



032 | Gold oak



052 | Gold walnut



021 | Grey

### Non-standard colors



073 EN | 3167-011-167  
Oak tree



0WC/WC | 49252-015  
Winchester XC



094/LG | 7251-05-167  
Light Grey



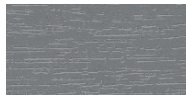
0VS/VS | F4265020  
Sage green



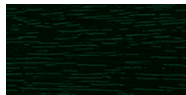
010/10 | 3211-005-148  
Irish oak



042/MC | 3162-002-167  
Macore



021/SG | 7155-05-167  
Grey



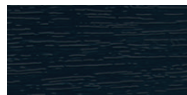
058/DG | 6125-05-167  
Dark green



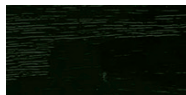
074/BG | 2052-090-167  
Rovere



024/M4 | 2065-021-167  
Mahogany



016/AT | 7016-05-167  
Gray anthracite



0VF/VF | 6125-05-179  
Green ash



0WI/WI | 49240-015  
Winchester XA



090/BC | 3202-001-167  
Black cherry



085/BB | 5007-05-167  
Light blue



0AR/AR | F4361002  
Silver silver



041/03 | 2115-008-167  
Oregon 3



034/ME | 2052-089-167  
Dark oak



088/SB | 5150-05-167  
Night blue



0MM/MM | F4361007  
Brass



076/SD | 3152-009-167  
Douglas



078/EM | 3167-004-167  
Mooreiche



046/WR | 3081-05-167  
Basque red



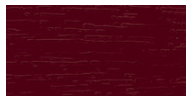
065/RW | 9152-05-168  
White veined



0SC/SC | 49233-015  
Siena



080/UB | 8518-05-167  
Dark brown



044/WT | 3005-05-167  
Red wine

**Painted** - For the 120 System, colors are available in different RAL.

# Series Piva ALG/Piva ALG Roller

*Minimal and versatile profiles*

Featuring minimal profiles, this series is ideal for use on walls of limited thicknesses. Tilt&turn opening mechanism with the option of opening outwards, with or without roller shutter. External or internal fitting frame to meet any type of on-site building requirements.

## Tilt&Turn Windows external fitting

The PIVA ALG tilt&turn window was designed for applications on outside and inside walls (mainly thin ones) of new, old, provisional or temporary structures. This type of window is strong and practical, and the particular way it opens makes it suitable for every field of application. The profiles are designed especially for systems with roller shutter or hinged PVC shutters.

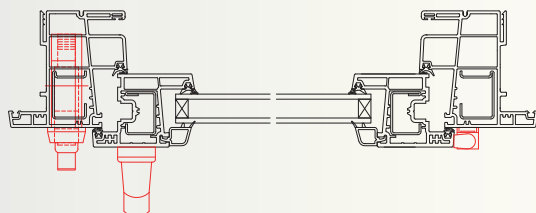
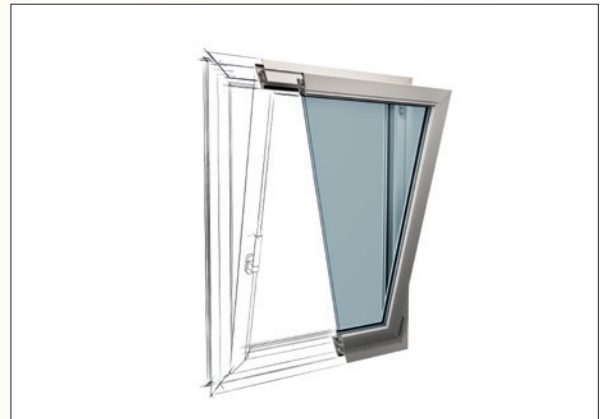
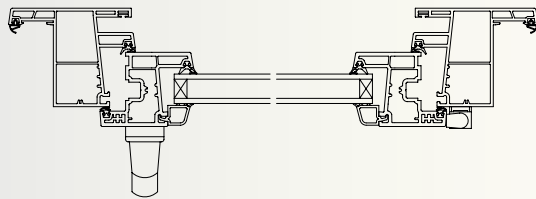
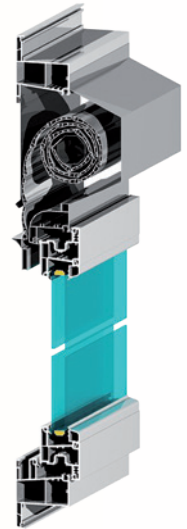
## Tilt&turn windows with roller shutter external fitting

The profiles are designed especially for systems with roller shutter or hinged PVC shutters.



Air permeability  
according EN 12207

**Class 3**





Water Tightness  
according to EN 12208

**Class 8A**

Wind Resistance

**Class C4**

Fire reaction  
according to DIN 4102

**Class B1**

Air permeability  
according EN 12207

**Class 4**

Water Tightness  
according to EN 12208

**Class 8A**

Wind Resistance

**Class C4**

Fire reaction  
according to DIN 4102

**Class B1**



## DATASHEET

Extruded profiles in rigid white PVC.

Sealing system with co-extruded EPDM gaskets on sash and frame.

Depth of frame system: 77 mm.

Depth of sash: 58 mm.

Optional insertion of glass panels of a thickness ranging between 23 and 30 mm (insulating glazing, single or stratified pane).

Optional application of slat-holder frame.

Closure system with white nylon handle.

Optional surface coating applied by leading certified specialised companies.

Optional application of aluminium anti-intrusion bars.

Optional application of external (fixed or hinged) screens.

Opening system with modular fittings made of galvanised steel with pressure die-cast aluminium components.

# Series Piva 75/Piva 75 Roller

*Minimal and versatile profiles*

A series designed to meet the most stringent insulation requirements, thanks to the profiles with 7 chambers on the window sash and 6 chambers on the frame. Optional addition of insulating glazing with thickness of up to 39 mm. Steel reinforcement on both the sash profile and the frame to offer stability and durability. Internal and external fitting frame.

## **Tilt&Turn Window external fitting**

The "PIVA 75" PVC tilt&turn window is designed for applications on outside and inside walls (mainly thin ones) of new, old, or temporary structures. This type of window is strong and practical, and the particular way it opens makes it suitable for every field of application.

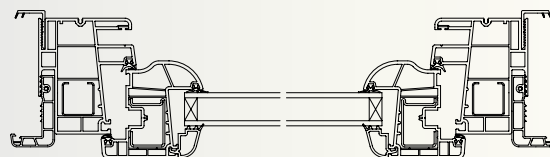
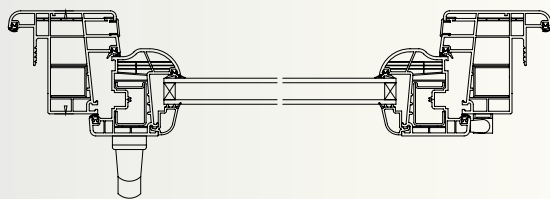
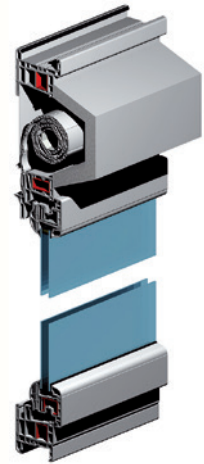
## **Tilt&Turn windows with roller shutter external fitting**

The profiles are designed especially for systems with roller shutters or hinged PVC shutters.



Air permeability  
according EN 12207

**Class 4**



Water Tightness  
according to EN 12208

**Class 8A**

Wind Resistance  
according to EN 12210

**Class C5/B5**

Fire reaction  
according to DIN 4102

**Class B1**

Air permeability  
according EN 12207

**Class 4**

Water Tightness  
according to EN 12208

**Class E750**

Wind Resistance  
according to EN 12210

**Class C3/B3**

Fire reaction  
according to DIN 4102

**Class B1**



## DATASHEET

Extruded profiles in rigid white PVC.

Sealing system with co-extruded EPDM gaskets on sash and frame.

Optional insertion of glass panels of a thickness ranging between 23 and 39 mm (insulating glazing, single or stratified pane).

Depth of frame system: 91 mm.

Optional application of aluminium anti-intrusion bars

Closure system with white aluminium alloy handle.

Optional surface coating applied by leading certified specialised companies.

Opening system with modular fittings made of galvanised steel with pressure die-cast aluminium components.

Depth of sash: 77 mm.

# MD System

*Modern design for pre fabricated buildings*

**Doors and windows, in the field of prefabricated buildings**, are an essential building element, ensuring brightness, allowing ventilation of rooms and entry of sunlight, and defining the relationship between internal and external spaces.

With **MD**, the **Piva Group**, which has always shown a particular concern for **environmental sustainability**, proposes high-performance windows, **with PassiveHouse certification**, fully embracing a “green” and “zero energy consumption” philosophy.



Uf

**0,96 w/m<sup>2</sup>**

Wind Resistance

**Class C5/B3**

Water Tightness

**E1050**

Air permeability

**Class 3/4**

**Maximum dimensions** in mm: 1200x1600 1200x1800 (1 sash window – 1 sash window + roller shutter)  
2400x1600 – 2400x1800 (2 sash window – 2 sash window + roller shutter)



## DATASHEET

Innovative system with **3 gaskets** and an L- or Z-shaped 7 chamber frame.

With a thickness of 115.5 mm and a sash thickness of 76 mm.

Available with internal and external fitting and up to 48 mm glass panel thickness (including triple glazing).

Is the perfect window for prefabricated buildings that require the highest performance standards in terms of air, water and wind resistance.

Available with and without a fitted roller shutter, which maintains high performance thanks to its insulated roller shutter box.

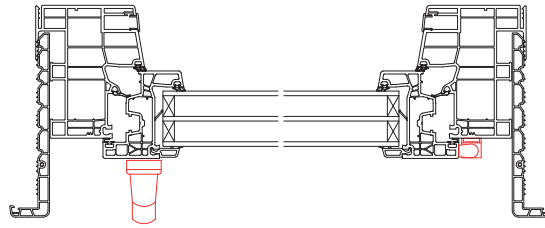
Caring for the aesthetic aspect thanks to a modern and angular design.

This range can be fitted in any window opening without the need for costly alterations.

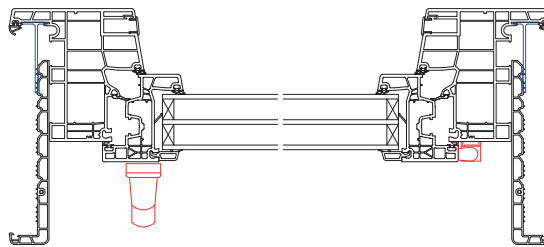
The special serration included in the frame allows solid and adjustable fitting on surfaces with a depth of up to 300 mm.

The sash with a height of only 70 mm, allows more space for the glazed surface and more light in internal spaces, without affecting the high performance of the window.

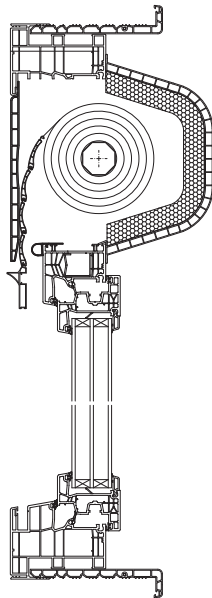
MD System has passed demanding certification tests, achieving the standards required by PassiveHouse Certification.



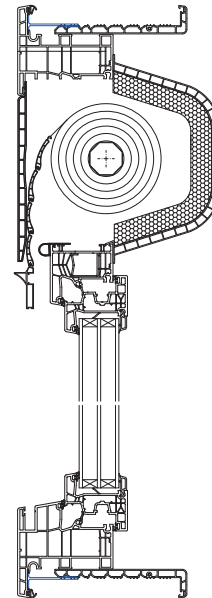
1.



2.



3.



4.

- |  |   |
|--|---|
| 1. Internal fitting version with internal profile:<br>1 sash window with no roller shutter -<br>horizontal section | 3. Internal fitting version with internal profile:<br>1 sash window with roller shutter - vertical<br>section |
| 2. External fitting version with internal profile:<br>1 sash window with no roller shutter -<br>horizontal section | 4. External fitting version with internal profile:<br>1 sash window with roller shutter - vertical<br>section |



## Aluminium Doors

Prefabricated and modular buildings

The pre-fabricated goods department constructs aluminium doors for modular pre-fabricated units (modular housing units, insulated units, prefabricated boxes, etc.). Based on thirty years of experience, Mondial Infissi division makes windows and doors for prefabrication and mobile homes with highest quality and customized solutions at a competitive price.

**Series 2002**                      Pag. 31

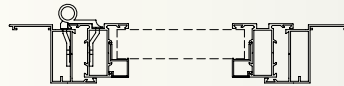
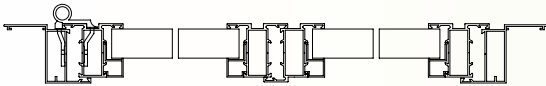
**Series 2002 blind door**      Pag. 32

**Series 2005**                      Pag. 33

# Series 2002

1-leave and 2-leaves door  
with middle band

The aluminium hinged door with middle band Series 2002 has been realized for fitting on external and/or internal walls (mainly of small thickness) of new, existing and/or temporary structures. This typology represent a cheap door, which combines lightness and strength.



Air permeability  
according EN 12207

**Class 1**

Water Tightness  
according to EN 12208

**Class 8A**

Wind Resistance  
according to EN 12210

**Class C4**

Fire reaction  
In conformity to D.M.14/01/1985

**Class 0**



DATASHEET

Depth of frame: 44 mm.

Closure system with black nylon handle;  
hinges.

Optional insertion of panels of a thickness  
ranging between 25 mm and 40 mm;  
insulation panels made of two sheets (unless  
otherwise specified) of pre-coated galvanised  
steel separated by high density polyurethane  
or polystyrene insulation material.

Profiles in extruded aluminium alloy 6060  
(EN 573-3) supplied in accordance with  
T5 (standard EN 515) and tolerances on  
dimensions and thicknesses according to  
standard UNI EN 12020.2 and/or UNI EN 755-9.  
Sealing system with gasket in COECOPRENE  
on panel and frame.

Depth of panel: 44 mm.

Optional application of external aluminium  
anti-intrusion bars and/or an internal Venetian  
blind.

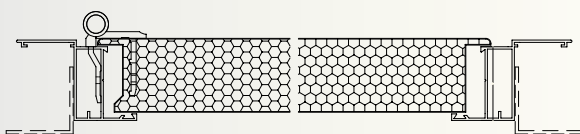
Optional insertion of glass panels of a  
thickness ranging between 4 mm and 23 mm  
(single or stratified pane, insulating glazing);

Fixed "U-shaped" 40/50/60 mm frame or  
T-/Z-/L-shaped frame to be used with or  
without a counter frame for any wall thickness;  
the T-/Z-shaped frame has been designed  
mainly for external fitting applications.

## Series 2002

*Blind door with 45 mm metal panel*

The most popular line of doors, mainly for indoor applications, featuring a panel with self supporting structure, with or without a middle band. The series also features lightweight versions with a non-self supporting blind sheet panel, without band, in various thickness completed in high-density EPS.



Air permeability  
according EN 12207

**Class 4**

Water Tightness  
according to EN 12208

**Class 8A**

Wind Resistance  
according to EN 12210

**Class C4**

Fire reaction  
In conformity to D.M.14/01/1985

**Class 0**



### DATASHEET

Profiles in extruded aluminium alloy 6060.

Depth of panel 45 mm; the door panel is produced by press-bending prepainted galvanised sheets to obtain two semi-shells between which high-density polystyrene is then glued.

Depth of frame: 44 mm. Fixed "U-shaped" frame of 40/50/60 mm or T-/Z-/Lshaped frame so that it can be used with or without a counter-frame for any wall.

Hinges in extruded aluminium, anodised or coated, with a galvanised steel pin.

The T-/Z-shaped frame has been designed mainly for external fitting applications.

Overlapping flap: 6 mm.

Fixed "U-shaped" 40/50/60 mm frame or T-/Z-/L-shaped frame to be used with or without a counter frame for any wall thickness; the T-/Z-shaped frame has been designed mainly for external fitting applications.

Closure system with black nylon handle with closure with shaped cylinder or optional vacant/occupied device.

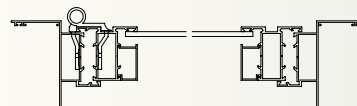
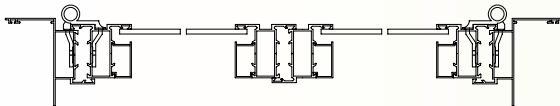
Sealing system with gasket in COECOPRENE on panel and frame.



# Series 2005

*1-leave and 2-leaves door  
with middle band*

The aluminium hinged door with or without middle band Series 2005 has been realized for fitting on external and/or internal walls (mainly of small thickness) of new, existing and/or temporary structures. This typology represents a door, which combines lightness and strength. It can be realized with many adjustable profiles, in order to satisfy the most of various needs.



Air permeability  
according to EN 12207

**Class 1**

Water Tightness  
according to EN 12208

**Class 8A**

Wind Resistance  
according to EN 12210

**Class C4**

Fire reaction  
In conformity to D.M.14/01/1985

**Class 0**



## DATASHEET

Depth of frame: 44 mm.

Sealing system with gasket in COECOPRENE on panel and frame.

Optional insertion of glass panels of a thickness ranging between 4 mm and 23 mm (single or stratified pane, insulating glazing); optional application of external aluminium anti-intrusion bars and/or an internal Venetian blind.

Profiles in extruded aluminium alloy 6060 (EN 573-3) supplied in accordance with T5 (standard EN 515) and tolerances on dimensions and thicknesses according to standard UNI EN 12020.2 and/or UNI EN 755-9.

Depth of panel: 44 mm.

Closure system with black nylon handle; hinges in extruded aluminium, anodised or coated, with a galvanised steel pin.

Optional insertion of panels of a thickness ranging between 25 mm and 40 mm; insulation panels made of two sheets (unless otherwise specified) of pre-coated galvanised steel separated by high density polyurethane or polystyrene insulation material.

Fixed "U-shaped" 40/50/60 mm frame or T-/Z-/L-shaped frame to be used with or without a counter frame for any wall thickness; the T-/Z-shaped frame has been designed mainly for external fitting applications.

## Italian production - Panel division



Pannelli System has obtained the new European certifications SBI in compliance to the law UNI EN 13501-1:2007+A1:2009, **therefore the panels with PU foam core (PUR) System PRT and System COP** have been assigned to different levels of certifications of reaction to fire: Bs2dO – Bs3dO – Cs3dO. **An important result has been obtained also for the panels produced with PIR (polyisocyanurate) polyurethane foam**, obtaining the classification Bs2dO. Recently another important result has been reached in the field of fire reaction, obtaining the classification to reaction to fire Broof (T3) in compliance to the method of UNI 13501-5:2009 – EN 13501-5 + A1:2005.

In accordance to the law EN 14509:2006, Pannelli System has obtained the certificate of conformity CE n°CPD/0497/3349/09 in order to label with the mark CE the materials in polyurethane foam called System PRT and System COP.

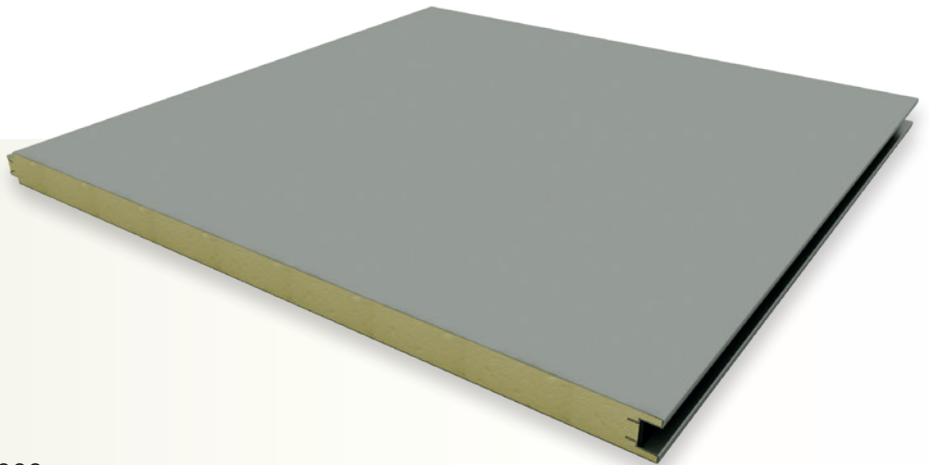
In accordance to the law UNI EN 1364-1:2000, the panel produced with PIR (polyisocyanurate) polyurethane foam has obtained a classification of fire resistance equal to 30' (EI 30).

For thermal insulation we mean the thermal flow exchange between 2 different environments. All the Pannelli System products, have thermal conductivity values for the insulation expressed with the unit of measure lambda D (alfadesign) and values of thermal transmission "U" for sandwich panels expressed in Wm<sup>2</sup>K.





# System PRT



## THICKNESSES

From 25 mm to 120 mm.

## DIMENSIONS

Width: standard module 1000 mm.  
Other modules available on request

Max length: 13500 linear mm.

## JOINT

Joint Male 18 mm – Female 20 mm

## CERTIFICATIONS

Reaction to fire in accordance with standard 13501- 1:2009. CE certificate of conformity in accordance with STANDARD 14509:2013 – 0497/ CPR/3349.



## DATASHEET

System PRT in expanded polyurethane.

---

Very high thermal insulation capacity due to their rigidity and the wide range of modules.

---

All the English, German and French certifications available, depending on customer requests.

---

New European SBI certification in accordance with DIN EN 13501-1: 2002 for polyurethane class 2 (B s3 d0) and for normal polyurethane (class assigned C s3 d0).

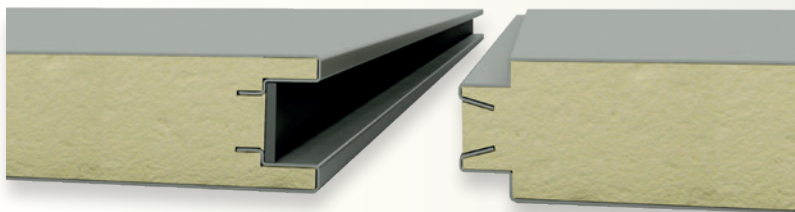
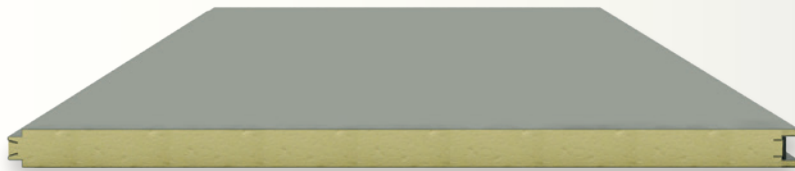
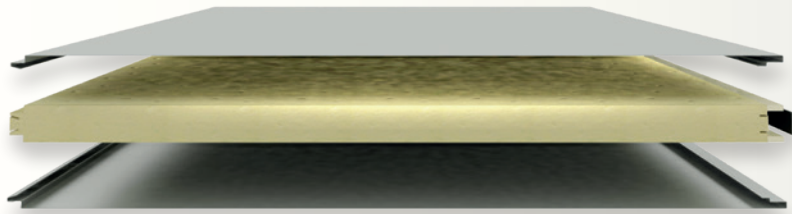
Production available also in PIR.

---

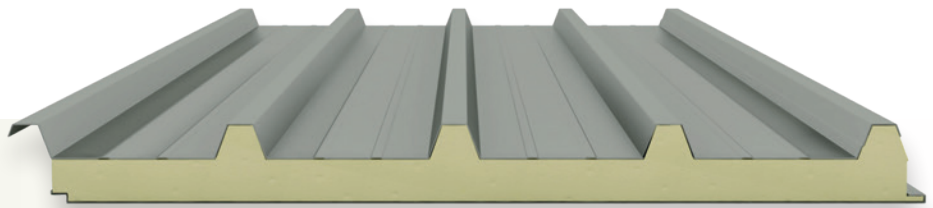
On request, insulated panels in polyisocyanurate (PIR) can be provided at 45 Kg / m<sup>3</sup>.

---

Ideal for construction of prefabricated buildings, partition walls, mobile homes and much more.



# System COP



## THICKNESSES

From 30 mm to 120 mm.

## DIMENSIONS

**Width:** standard module 1000 mm.

**Length:** up to 13500 linear mm.

**Cuts to order:** up to 2000 mm (in continuous mode).

**Easy overlap provided:** minimum panel length 3000 mm.

Overlap from 40 to 310 mm included in length. Other measures available on request.

## JOINT

Standard joint for the overlapping of the empty rib on the full one.

## CERTIFICATIONS

Reaction to fire in accordance with standard 13501-1:2009.

CE certificate of conformity in accordance with STANDARD 14509:2013 - 0497/CPR/3349.



## DATASHEET

System COP in expanded polyurethane.

Very high thermal insulation capacity due to their rigidity and the wide range of modules.

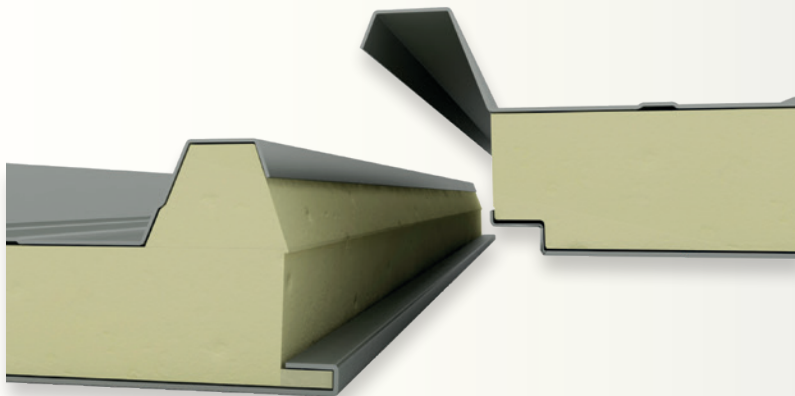
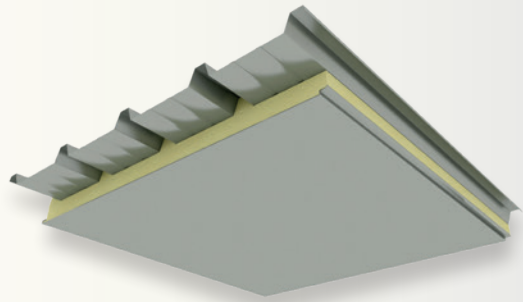
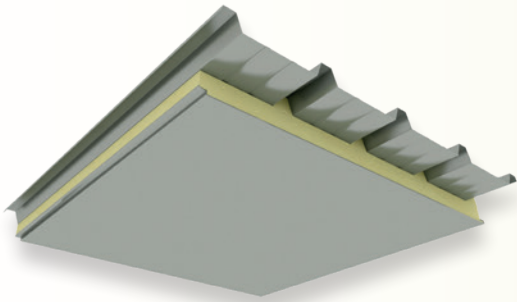
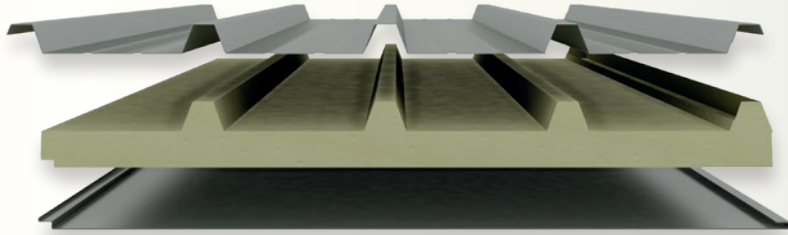
All the English, German and French certifications available, depending on customer requests.

New European SBI certification in accordance with DIN EN 13501-1: 2002 for polyurethane class 2 (B s3 d0) and for normal polyurethane (class assigned C s3 d0).

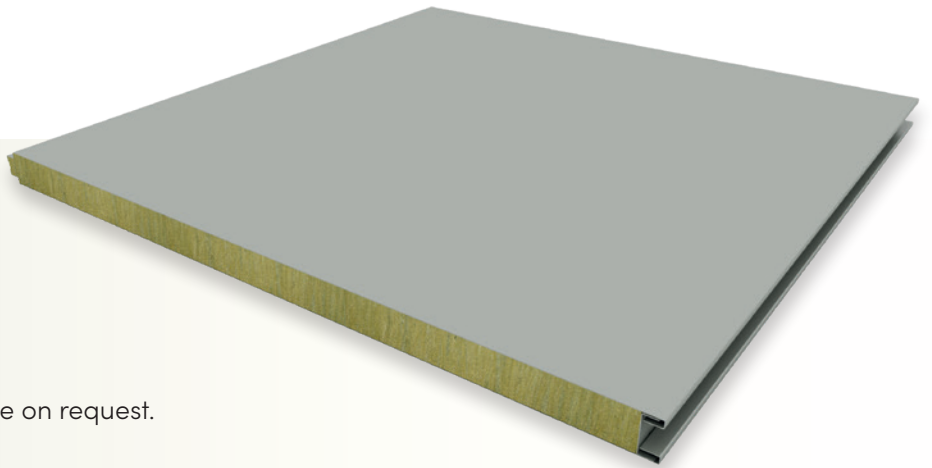
Production available also in PIR.

On request, insulated panels in polyisocyanurate (PIR) can be provided at 45 Kg / m<sup>3</sup>.

Ideal for construction of prefabricated buildings, partition walls, mobile homes and much more.



# System MNR Fibra



## THICKNESSES

From 40 mm to 200 mm.

Other thicknesses available on request.

## DIMENSIONS

**Width:** Standard module 1000 mm.

Other modules available on request

**Max length:** 13000 linear mm.

## JOINT

Male 18 mm – Female 20 mm.

## CERTIFICATIONS

Reaction to fire in accordance with standard 13501-1:2009 Euroclass A2s1d0. CE certificate of conformity in accordance with EN 14509:2013 – 0497/CPR/3350.



## DATASHEET

System MNR FIBRA in mineral wool with oriented fibres.

The value of mineral wool panels lies in their non-combustibility and excellent acoustic and thermal insulation, combined with a low environmental impact.

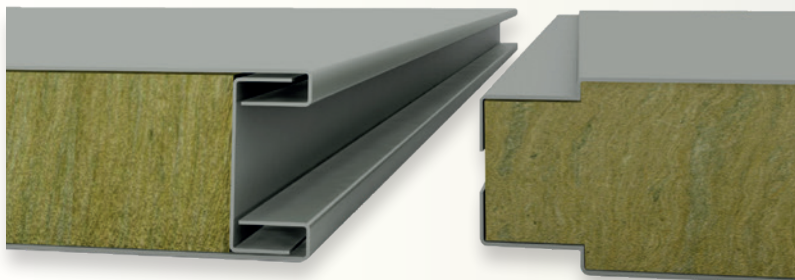
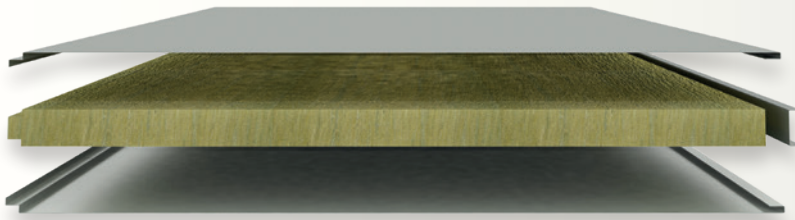
For the fire resistance classification of construction elements and products, Pannelli System has already passed the test for obtaining new certifications, according to standard UNI EN 13501-2:2007. To date, our certified panels include: System MNR FIBRA E130 – E145 – E160 – E190 – E1120 – E1180.

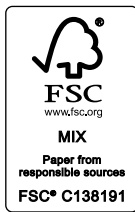
European SBI certification according to standard UNI EN 13501-1:2002, classified with a fire reaction A2 s1 D0.

100% certified, from reaction to fire class 0-1 to all R.E.I. fire resistance certifications and soundproofing and acoustical absorption certifications.

Ideal for construction of sheds, prefabricated buildings, partition walls, industrial kilns and civil and industrial soundproofing elements.







Piva Group prints on  
environmentally conscious papers





Piva Group SpA  
Via Roma, 139 - Roncanova di Gazzo V.se Verona - Itálie

Piva Okna Se  
Tř. Tomáše Bati 283 - 763 02 Zlín  
Tel. +420 731 532 840 - +420 739 056 006  
[info@pivaoknase.com](mailto:info@pivaoknase.com)

